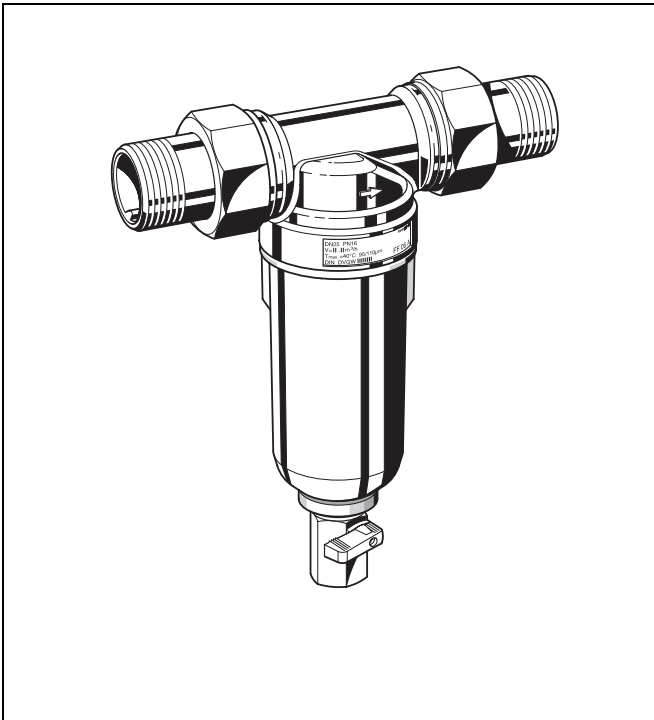


## MiniPlus FF06-AAM

Rinsable fine filter  
with brass filter bowl

### Product specification sheet



#### Construction

The fine filter comprises:

- Housing with female and male threads
- Threaded connections
- Fine filter in brass filter bowl
- Ball valve
- Double wing wrench

#### Materials

- Body of dezincification resistant pressed brass
- Brass threaded connections
- Stainless steel fine filter
- Dezincification resistant brass filter bowl

#### Application

Rinsable MiniPlus FF06-AAM fine filters ensure a continuous supply of filtered water. The fine filter stops the flow of particulates, for example rust particles, strands of hemp, or grains of sand. Sediment collected at the bottom of the filter bowl can simply be removed by rinsing the filter.

Compact in size, these filters were designed to fit where space is limited.

#### Special Features

- Simple assembly
- Filtered water supply even during rinsing
- Filter bowl of brass - suitable for hot water installations
- Filter and complete filter bowl are replaceable
- Body with female and male threads

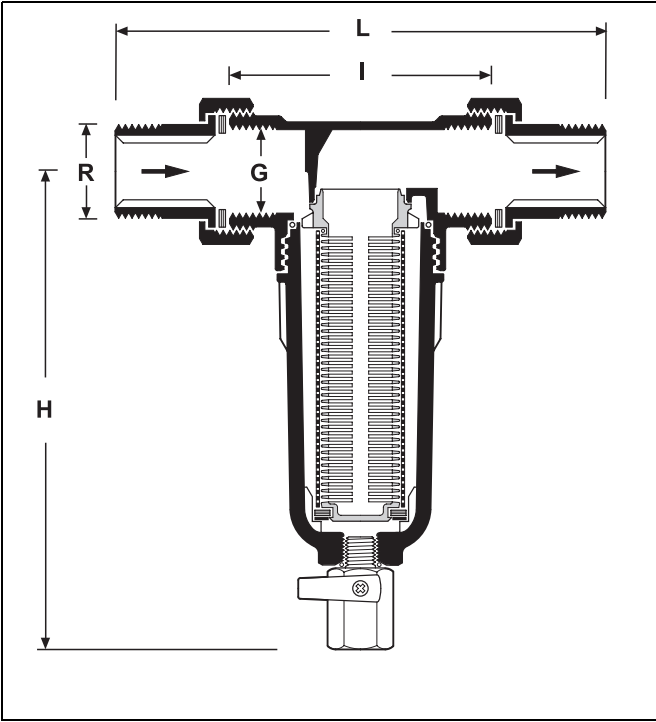
#### Range of Application

Medium Water

The filter is constructed for drinking water installations. In case of a process water application the filter has to be proven individually.

#### Technical Data

Installation position	Horizontal, with filter bowl downwards
Operating pressure	Maximum 25.0 bar
Operating temperature	Maximum 70 °C
Connection size	1/2", 3/4", 1"




**Method of Operation**

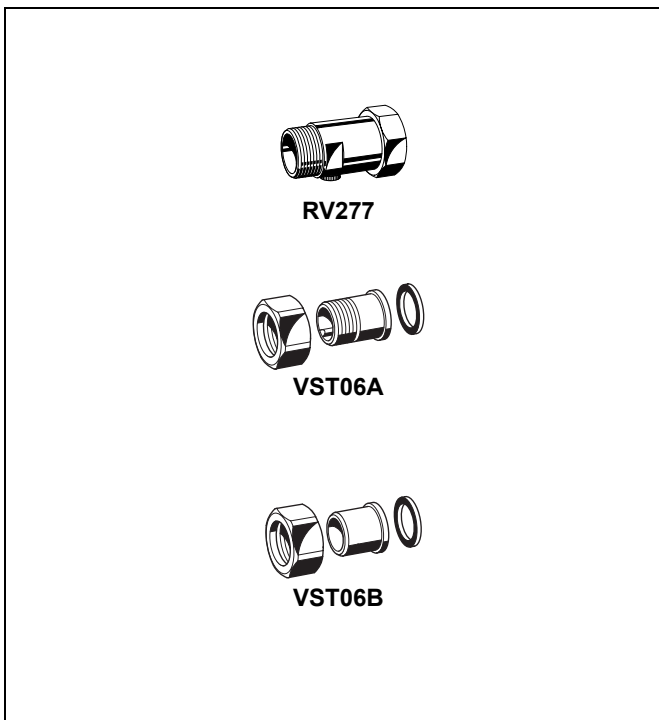
The MiniPlus fine filter is composed of a body and a rinsable fine filter insert.

During normal operation, water flows through the filter mesh to the body outlet. To rinse the filter, the ball valve is opened which discharges the dirt particles. A continuous supply of filtered water is available also during the rinse cycle.

**Options**

FF06-...AAM = Threaded male connections,  
 filter mesh size 100 µm  
  
 Connection size

Connection size	R	1/2"	3/4"	1"
Internal threads	G	1/2"	3/4"	1"
Weight	approx. kg	1.4	1.46	1.76
Dimensions	mm			
	L	140	158	179
	I	80	90	100
	h	158	180	180
Flow value at Δp = 0,2 bar	m <sup>3</sup> /h	1.5	2.8	3.2
k <sub>VS</sub> -value		3.3	6.3	7.2



**Accessories**

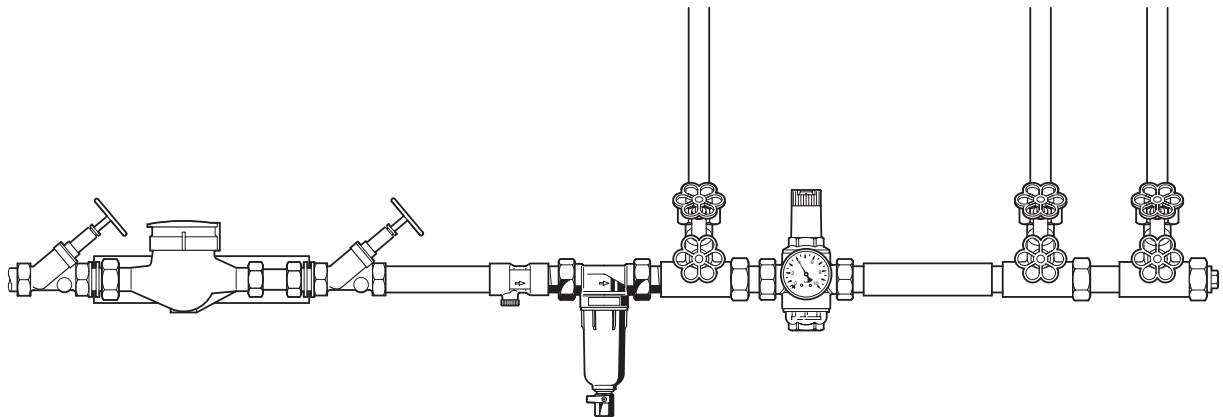
**RV277 Inlet check valve**

Available in sizes R<sup>1/2"</sup> - 2"

**VST06 Connection set**

Connection set  
 A = Threaded male connection;  
 B = Solder union connection

**Installation Example**



**Installation Guidelines**

- Install in horizontal pipework with filter bowl downwards
  - This position ensures optimum filter efficiency
- Install shutoff valves
- Ensure good access
  - Simplifies maintenance and inspection
- The installation location should be protected against frost
- Fit immediately after water meter
  - Corresponds to DIN 1988, Part 2

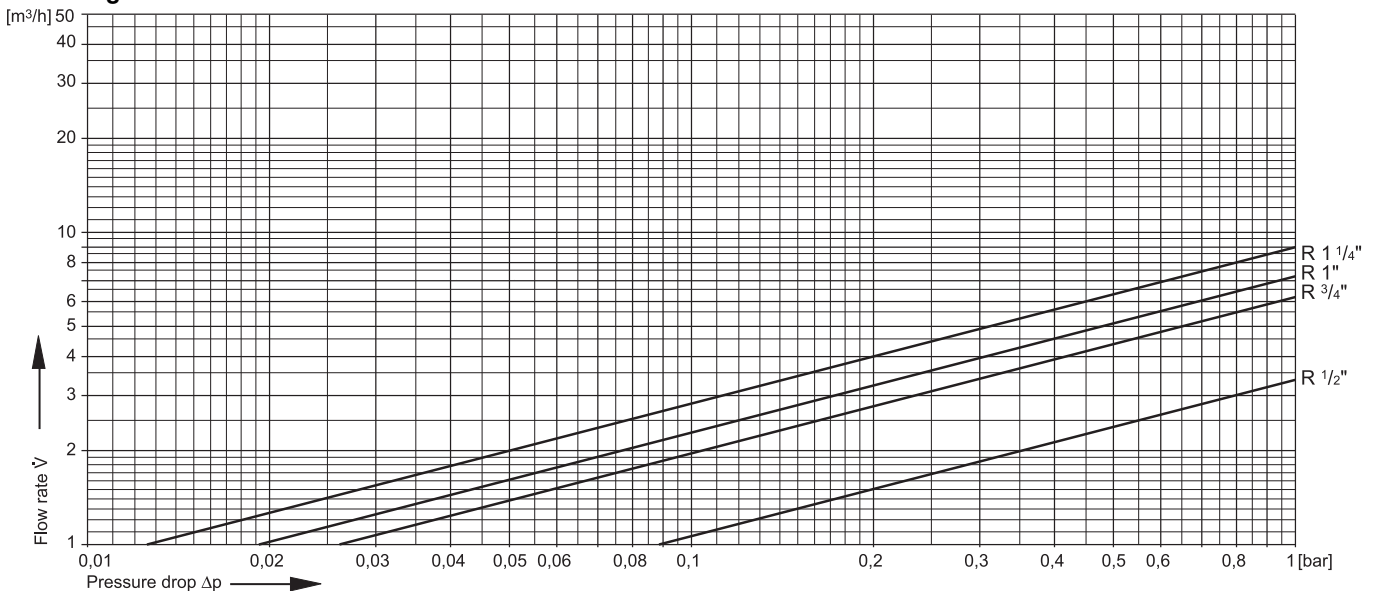
**Typical Applications**

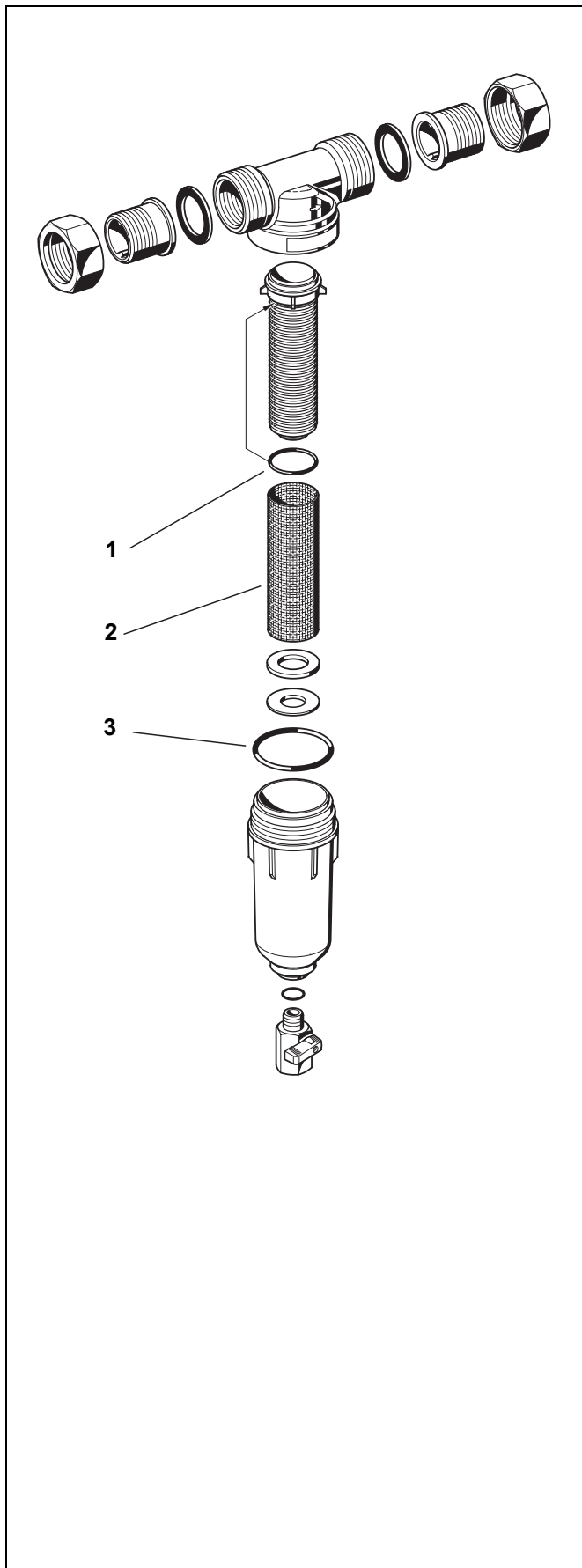
Fine filters of this type are suitable for supplies to buildings of all types. They can also be used for commercial and industrial applications within the limits of their specifications.

Fine filters of this type are installed:

- If the downstream system includes appliances which must be protected against dirt
- Where no pressure reducing valve is required (maximum 5.0 bar static pressure)
- Where a pressure reducing valve is already fitted but cannot be retrofitted with a filter

**Flow Diagram**





**Spare Parts**

**MiniPlus FF06-AAM Fine Filters (From 1997 onwards)**

No.	Description	Dimension	Part No.
1	O-ring set	1/2"	0903127
	for mesh carrier (pack of 10)	3/4" - 1"	0903128
2	Replacement sieve	1/2"	AS06-1/2A
		3/4" - 1"	AS06-1A
3	O-ring set	1/2"	0901246
	for filter bowl (pack of 10)	3/4" - 1"	0901499
4	Double ring wrench For removing filter bowl (no fig.)	1/2" - 1 1/4"	ZR06F

**Automation and Control Solutions**

Honeywell GmbH  
 Hardhofweg  
 D-74821 Mosbach  
 Phone: (49) 6261 810  
 Fax: (49) 6261 81309  
<http://europe.hbc.honeywell.com>  
[www.honeywell.com](http://www.honeywell.com)

Manufactured for and on behalf of the  
 Environmental and Combustion Controls Division  
 of Honeywell Technologies Sàrl, Rolle, Z.A. La  
 Pièce 16, Switzerland by its Authorised Repre-  
 sentative Honeywell GmbH

EN0H-1127GE23 R1009  
 Subject to change without notice  
 © 2009 Honeywell GmbH

