

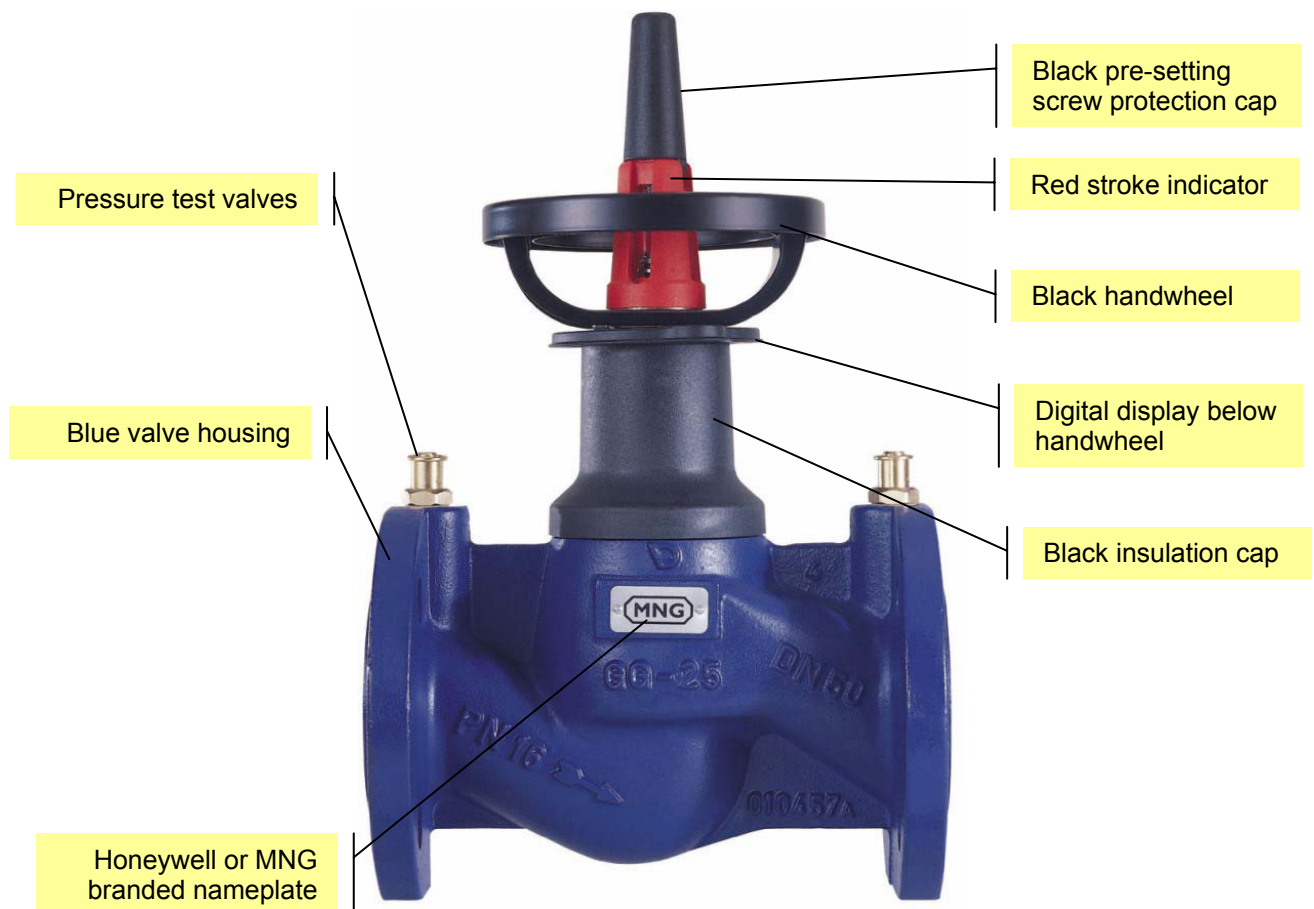
## Spare Parts Catalogue

### V6000 Series Kombi-F-II / Kombi-F Flanged Balancing Valves

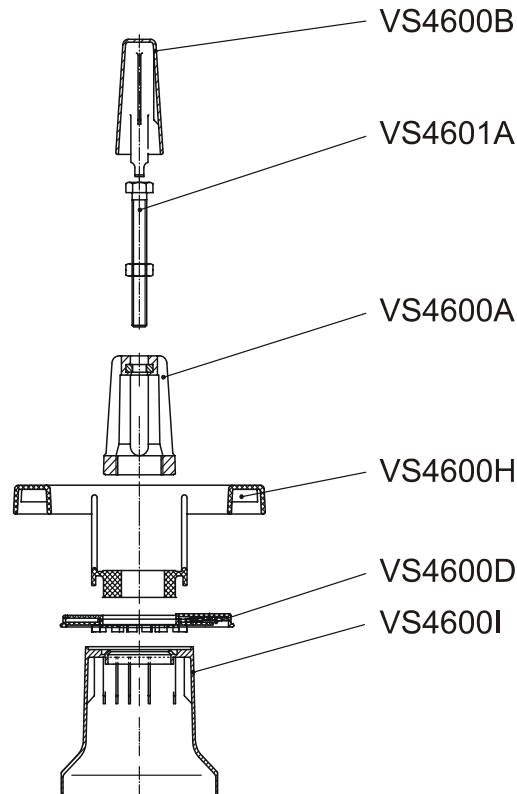
Flanged double-regulating variable orifice balancing valve. The following spare parts are suitable for all V6000 Kombi-F-II DN15 to DN200, i.e. all OS-Nos. starting with V6000 and ending with 015, 020, 025, 032, 040, 050, 065, 080, 100, 125, 150 or 200.

How to identify a V6000 Kombi-F-II:

- Nameplate on side of valve labelled "Honeywell" or, for older models, labelled "Honeywell MNG" or "MNG"
- Blue valve housing
- Pressure test valves on inlet and outlet flange



## Overview



OS-No. Group	Item	Size											
		DN15 (1/2")	DN20 (3/4")	DN25 (1")	DN32 (1 1/4")	DN40 (1 1/2")	DN50 (2")	DN65 (2 1/2")	DN80 (3")	DN100 (4")	DN125 (5")	DN150 (6")	DN200 (8")
VS4600A	Red stroke indicator	015				040		065	080		125		200
VS4600B	Black protection cap	015						065			125		200
VS4600D	Digital display	015						065					
VS4600H	Handwheel	015				040		065				200	
VS4600I	Black insulation cap	015				040		065		100			200
VS4601A	Pre-setting screw	015				040		065	080		125		200



Combination of OS-No. Group and Size results in OS-No. for spare part, e.g. "VS4601A" + "040" = Pre-setting screw for V6000 Kombi-F-II DN40 and DN50

Spare parts in detail by OS-No. (OS=Ordering System)

Spare part		Suitable for
OS-No.	Description	
VS4600A015	Red stroke indicator	All V6000 Kombi-F-II DN15-32
VS4600A040	Red stroke indicator	All V6000 Kombi-F-II DN40-50
VS4600A065	Red stroke indicator	All V6000 Kombi-F-II DN65
VS4600A080	Red stroke indicator	All V6000 Kombi-F-II DN80-100
VS4600A125	Red stroke indicator	All V6000 Kombi-F-II DN125-150

Spare part		
OS-No.	Description	Suitable for
VS4600A200	Red stroke indicator	All V6000 Kombi-F-II DN200
VS4600B015	Black protection cap	All V6000 Kombi-F-II DN15-50
VS4600B065	Black protection cap	All V6000 Kombi-F-II DN65-100
VS4600B125	Black protection cap	All V6000 Kombi-F-II DN125-150
VS4600B200	Black protection cap	All V6000 Kombi-F-II DN200
VS4600D015	Digital display	All V6000 Kombi-F-II DN15-50
VS4600D065	Digital display	All V6000 Kombi-F-II DN65-200
VS4600H015	Handwheel	All V6000 Kombi-F-II DN15-32
VS4600H040	Handwheel	All V6000 Kombi-F-II DN40-50
VS4600H065	Handwheel	All V6000 Kombi-F-II DN65-150
VS4600H200	Handwheel	All V6000 Kombi-F-II DN200
VS4600I015	Black insulation cap	All V6000 Kombi-F-II DN15-32
VS4600I040	Black insulation cap	All V6000 Kombi-F-II DN40-50
VS4600I065	Black insulation cap	All V6000 Kombi-F-II DN65-80
VS4600I100	Black insulation cap	All V6000 Kombi-F-II DN100-150
VS4600I200	Black insulation cap	All V6000 Kombi-F-II DN200
VS4601A015	Pre-setting screw	All V6000 Kombi-F-II DN15-32
VS4601A040	Pre-setting screw	All V6000 Kombi-F-II DN40-50
VS4601A065	Pre-setting screw	All V6000 Kombi-F-II DN65
VS4601A080	Pre-setting screw	All V6000 Kombi-F-II DN80-100
VS4601A125	Pre-setting screw	All V6000 Kombi-F-II DN125-150
VS4601A200	Pre-setting screw	All V6000 Kombi-F-II DN200

Cross reference list Honeywell OS-No. to obsolete MNG Article-No. ("xxx" denotes the size, e.g. "015" for a DN15 valve)

3.850001.xxx.000	V6000D0xxx	V6000 Kombi-F-II PN16 DN250-DN400
3.850006.xxx.000	V6000DAxxx	V6000 Kombi-F-II ANSI 150lbs
3.850020.xxx.000	V6000D0xxx	V6000 Kombi-F-II PN16 DN15-DN200
3.850020.xxx.902	V6000DPxxx	V6000 Kombi-F-II PN25